

SET-UP SHEET

X4F'25 SET-UP SHEET VER.1 ©XRAY

XRAY X4F'25

RACE **Basic For ETS Carpet**

TRACK _____

NAME **XRAY Factory** DATE _____

TRACK TEMP.	QUAL. POS.	FINAL POS.	BEST LAP TIME	LAPS	TIME
			/sec	/	

TRACK

TRACK SURFACE CARPET ASPHALT

TRACK LAYOUT TECHNICAL MIXED FAST

TRACTION LOW MEDIUM HIGH

FRONT TRANSMISSION REAR

GEAR DIFFERENTIAL - OIL **300K /cst**

PINION / T	SPUR GEAR / T	FINAL DRIVE RATIO
38	100	4.5

FRONT	SHOCKS	REAR
2.5-2.8	XRAY SPRINGS	2.6
350	OIL /cst	350
0	REBOUND %	0

4 HOLES 1.1mm 1.2mm 4 HOLES PSS

SHOCK LENGTH **8.5** /mm

SHOCK LENGTH **8.5** /mm

1.3 THICKNESS/mm **ANTI-ROLL BAR** THICKNESS/mm **1.2**

TIRES

ADDITIVE _____

ADDITIVE TIMING _____

WIPE OFF TIME _____

TIRE WARMERS

Timing: _____ Temp.: _____

FRONT LEFT FRONT RIGHT REAR LEFT REAR RIGHT

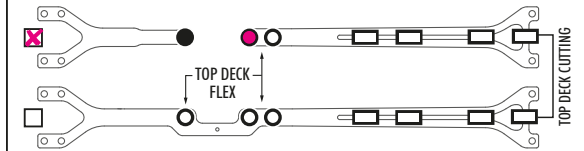
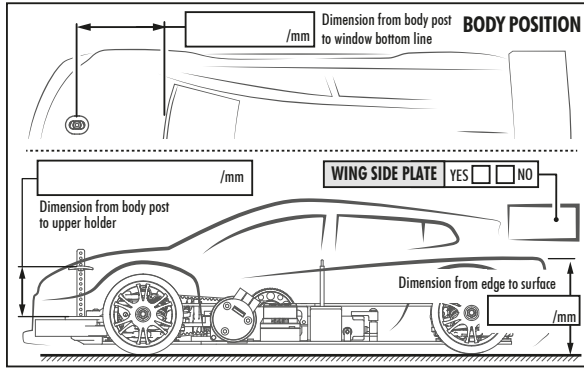
TREATED AREA

TOTAL WEIGHT _____ /g WEIGHT BALANCE FRONT _____ % REAR _____ %

MOTOR _____ TIMING _____ RPM LIMIT _____

ESC _____ BATTERIES _____

BODY _____ WING _____



COMMENTS _____

